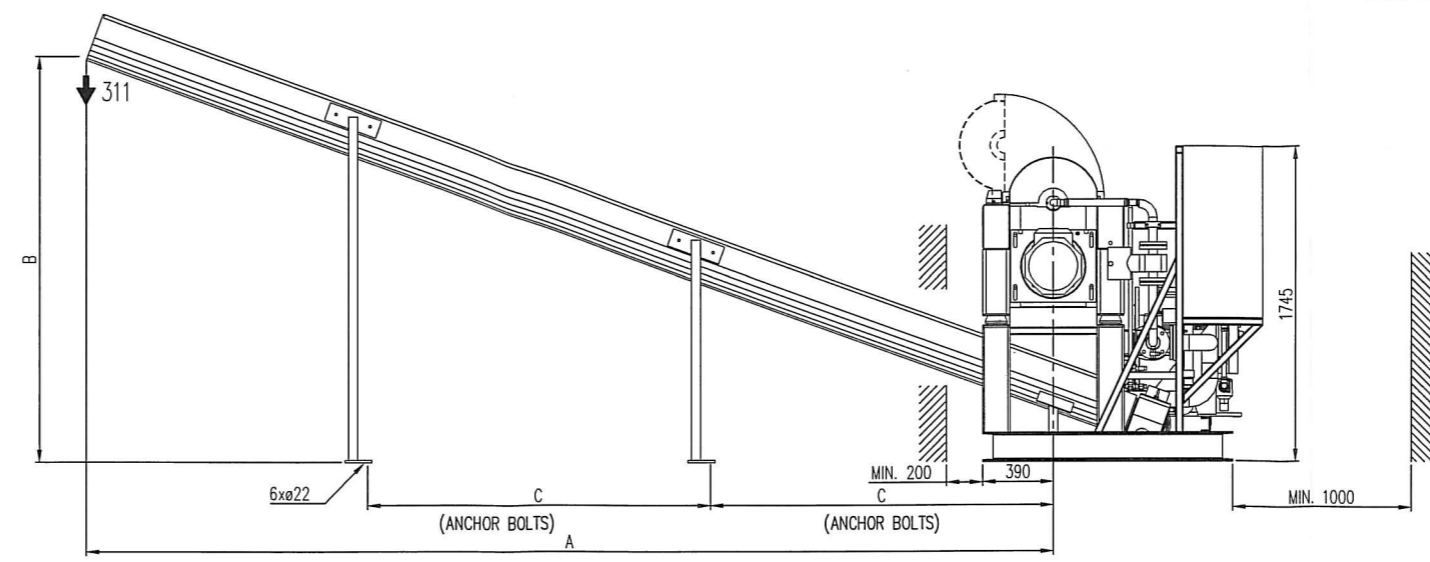
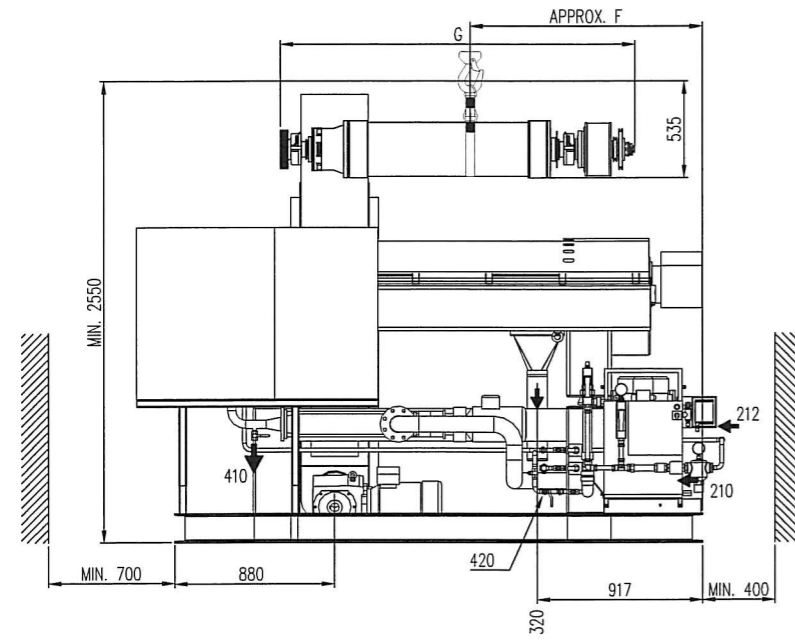


MAIN DIMENSION: DECANTER MODULE. EXCL. CAKE CONVEYOR

TYPE	D	E	F	G	WEIGHT
ALSYS 20	2640	1775	1150	1680	2200 kg (4850 lbs)
ALSYS 30	2920	2055	1290	1960	2350 kg (5180 lbs)

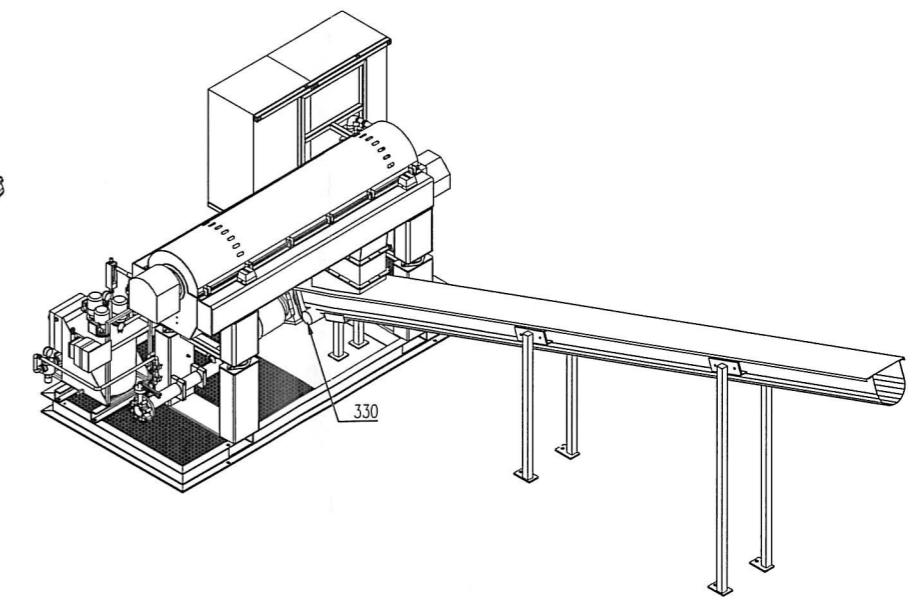
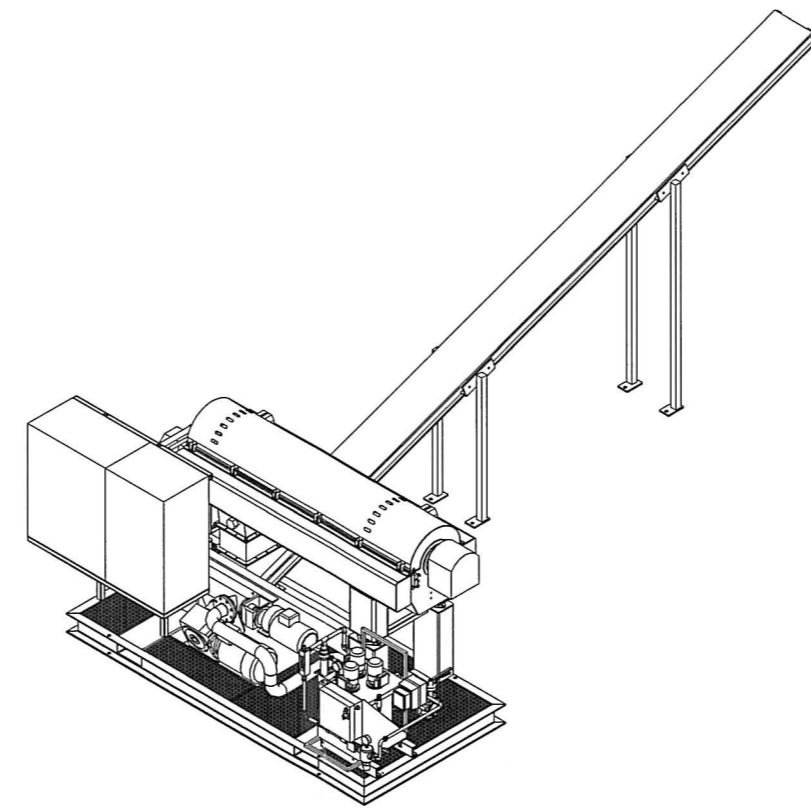
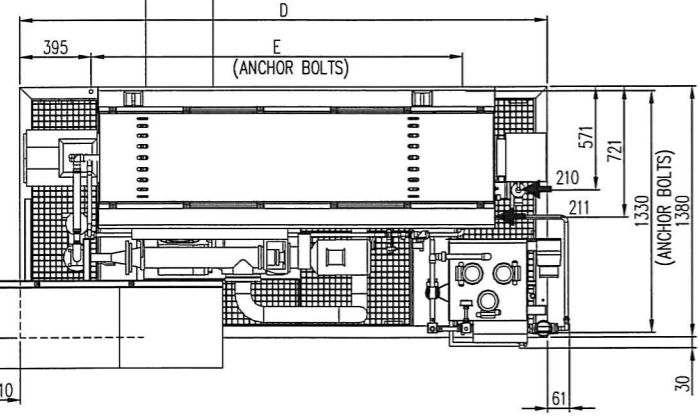
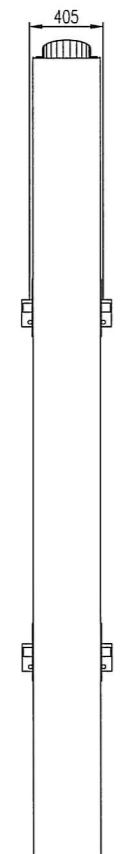
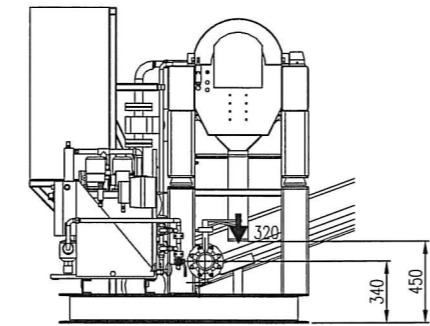
CAKE CONVEYOR

LENGTH	A	B	C	WEIGHT
4 M.	3475	1540	1900	350 kg (770 lbs)
5 M.	4415	1430	1430	450 kg (990 lbs)
6 M.	5355	2220	1900	550 kg (1210 lbs)



CONNECTIONS:

NO.	DESCRIPTION	DIMENSION - TYPE : ISO	DIMENSION - TYPE : ANSI
210	FEED	DN80 ISO - PN10 FLANGE	3" ANSI - 150 LBS FLANGE
211	POTABLE WATER	ISO228 G1/2" - FEMALE THREAD	G1/2" NPT - FEMALE THREAD
212	POLYMER PIPE	ø16 - SUCTION PIPE	
213	POLYMER PIPE	ISO228 G1/2" - FEMALE THREAD	G1/2" NPT - FEMALE THREAD
310	SOLIDS OUTLET	DECANTER 480x260 - RECTANGULAR HOSE	
311	SOLIDS OUTLET	CAKE CONVEYOR	
320	FILTRATE	DN100 ISO - PIPE	DN100 ISO - PIPE
330	DRAIN	DN100 ISO - PIPE	DN100 ISO - PIPE
410	SAMPLE POINT	ISO228 G1/2" - FEMALE THREAD	G1/2" NPT - FEMALE THREAD
420	SAMPLE POINT	ISO228 G1/2" - FEMALE THREAD	G1/2" NPT - FEMALE THREAD



Rev. No.	Revision text	Date	Drawn	Checked	Appr.
07	New Polymore Midi 100-12	02.10.2006	PLE	JHP	JHP
06	Dimensions updated.	29.08.2006	LGJ	JHP	JHP
05	New Polymore Duo 69-9-0	31.01.2006	PLE	JHP	JHP
04	UPDATE	15.09.2005	PLE	JHP	JHP
03	CAKA CONVEYOR	10.06.2005	PLE	JHP	JHP
02	ANCHER BOLTS	01.02.2005	PLE	JHP	JHP
01	UPDATE	20.12.2004	PLE	JHP	JHP

Title			DIMENSION DRAWING		
			ALSYS 20 / 30		
Proj. No.	Proj. Type	Proj. Name	Size	Location	
			A1	Alfa Laval Copenhagen A/S - Denmark	
Date	Drawn	ISO Method E	Scale	Drawing No.	
13.12.2004	PLE	E	1:10	61298566	
Checked	Approved	Sheet		Rev.	
JHP	JHP			07	

Only in the extent expressly approved by us this document may constitute a contractual obligation on our part.

 This document and its contents are our exclusive property and must not be copied, reproduced, transmitted or communicated to any other party or used for purposes not expressly permitted by us.